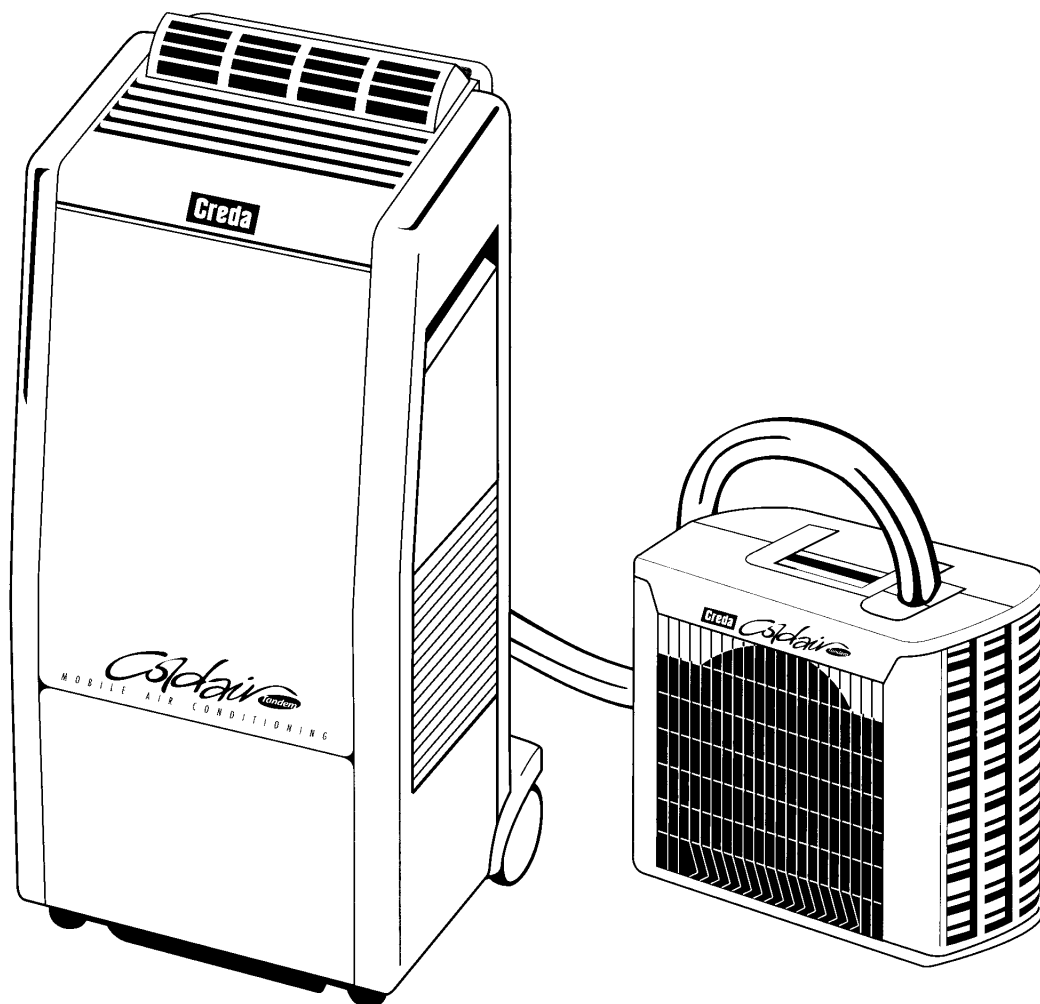


Creda

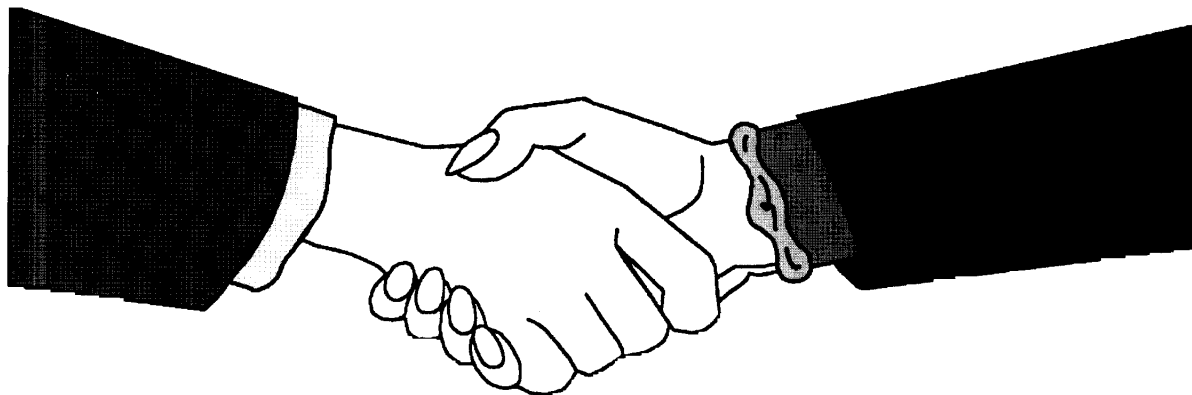
**Mobile Air Conditioner
Users Instruction & Installation Book for:
Coldair Tandem
56040**



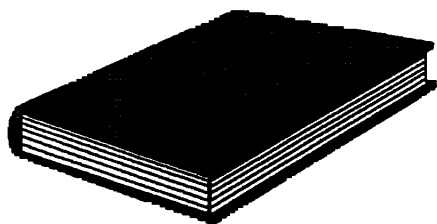
**You must read these instructions prior to using the appliance
and retain them for future reference**

CONTENTS	
INTRODUCTION	3
PRODUCT IDENTIFICATION / FEATURES	4
ELECTRICAL REQUIREMENTS	5
INSTALLATION / POSITIONING Portable Installation / Positioning. Wall Mounting Outdoor Unit. Permanent Air Conditioner Installation. Setting Air Flow Direction.	6 6 7 8
IMPORTANT ADVICE!	8
BEFORE USING THE APPLIANCE	9
OPERATION Cooling Mode Fan Only Mode	10 10
CARE AND CLEANING	11
SOMETHING WRONG?	12
HOW TO OBTAIN SERVICE	12
SPARES / ACCESSORIES ORDER HOTLINE	12

INTRODUCTION



Your new appliance is guaranteed* and will give lasting service. This guarantee is only applicable if the appliance has been installed in accordance with the installation/positioning instructions detailed in the booklet.



To help make the best use of your Air Conditioner, please read this booklet carefully.

*** The guarantee is subject to the provisions that the appliance:**

- (a) Has been used solely in accordance with the User Instruction Book.**
- (b) Has been properly connected to a suitable supply voltage as stated on the rating plate attached to the appliance.**
- (c) Has not been subjected to misuse or accident or been modified or repaired by any person other than the authorised employee or agent.**
- (d) Has been correctly installed.**

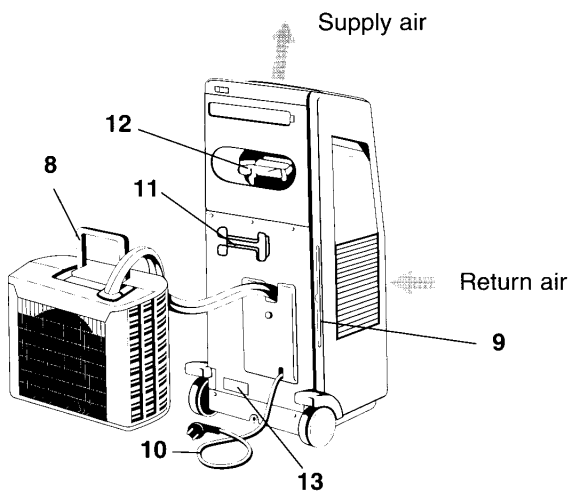
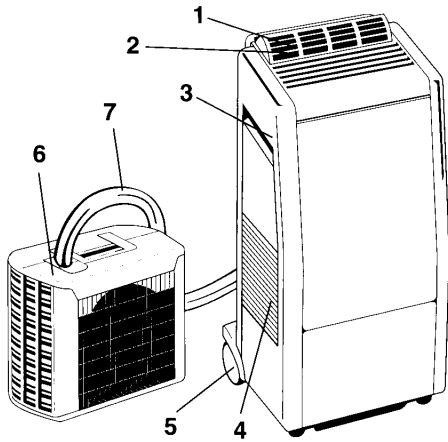
This appliance conforms to the following EEC Directives:



Low Voltage Equipment
73/23/EEC
93/68/EEC

Electromagnetic Compatibility
89/336/EEC
92/31/EEC
93/68/EEC

PRODUCT IDENTIFICATION / FEATURES



1. Control panel
2. Adjustable Air Outlet Grille
3. Transportation Handles (both sides)
4. Return Air grille (both sides)
5. Transportation Wheels
6. Outdoor Unit
7. Flexible tube
8. Handle (for transportation & hanging)
9. Air Filter (both sides)
(withdraw filters from the rear of the unit)
10. Electric Supply Cable
11. Outdoor Unit Hanger
12. Cable Storage Lugs
13. Rating Plate

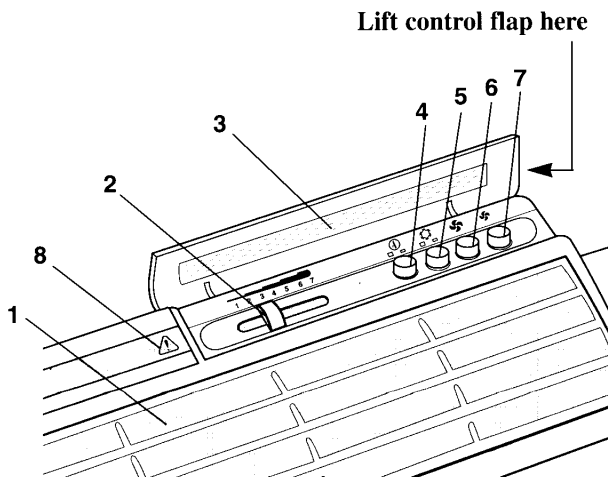
Operating Limits:

Room Temperature:	MIN	MAX
Outdoor Temperature:	19° C	32° C
Room Sizes:	18° C	46° C

Up To 40m² *

* Assuming 2.5m ceiling height and average operational temperature of 25° C

CONTROL PANEL



1. Adjustable Air Outlet Grille
2. Electronic Thermostat Selector
3. Advice Label
4. ON/OFF Push-Button Switch
Push button In for Off.
Push button Out for Off.
5. Cooling Push Button
6. High Speed Fan Push-Button
7. Low Speed Fan Push-Button
8. Water Level Alarm



ELECTRICAL REQUIREMENTS

Supply

This appliance should be connected to the mains supply via a suitable switched socket, which is in a position accessible after installation. Refer to rating plate for the supply voltage.

Warning: This appliance must be earthed.

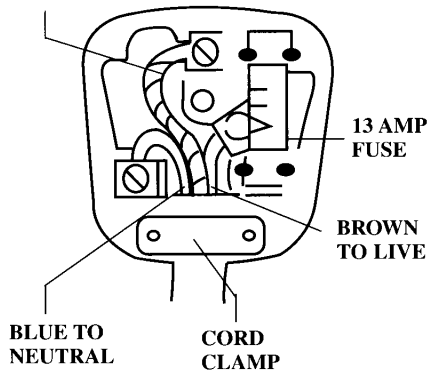
Changing the Plug

The flexible mains lead is supplied connected to a BS1363 fused plug with a 13 amp capacity.

If this plug is removed or cut off, it should be properly disposed of and not left where children might find it and plug into a supply socket - with the obvious consequent danger of electrocution.

Rewirable Plug

GREEN & YELLOW
TO EARTH



The wires in the mains lead are in accordance with the following:

GREEN/YELLOW - EARTH
BLUE - NEUTRAL
BROWN - LIVE

If the plug is changed, the coloured wires in the mains lead may not correspond with the colours of the markings identifying the terminals in the plug. Therefore wire is as shown above. Should the mains lead ever require replacement, this operation must be carried out by a competent person. Only use specially prepared 3 core 1.50mm² recommended spares cable.

Moulded Plug



The correct replacement of the fuse is identified by the colour coding in the base of the plug or the colour that is embossed in words in the base of the fuse recess, or elsewhere on the plug. Only 13 amp replacement fuses which are ASTA approved to BS1362 should be fitted. After replacement of a fuse in the plug, the fuse cover must refitted. Fuse covers may be obtained from your local Regional Electricity Company.

Warning: The plug must not be used without a fuse cover.

NOTE: Replacement mains cables must only be obtained from our recommended Spares stockist.

NOTE: If in doubt consult a qualified electrician.

INSTALLATION / POSITIONING

There are 3 methods of installing / positioning your air conditioner unit:

1. Portable installation / positioning of air conditioner.
2. Wall mounting outdoor unit.
3. Permanent air conditioner installation.

1. Portable installation / positioning of air conditioner

The air conditioner is made up of two units interconnected by a flexible tube. The indoor unit, movable on wheels, must be placed in the room to be air conditioned, near a window (see figure 1), or outside door. The outdoor unit, that provides the disposal of heat and condensation, must be located outside, on a firm surface outside.

The outdoor unit must always be in the vertical position and on a flat surface. It must be free of any obstacles around it, as this could restrict the air flow. A 3 cm lug on the rear bottom of the unit ensures that the minimum distance from the wall is adhered to, there must also be a minimum distance of 15 cm either side and 80 cm in front of the unit.

Note: If your room has a balcony or a window-sill of sufficient depth (22 to 25 cm) you may position the unit and fix it to the surface using a M6 x 20 expansion bolt located in the slot of the lug at the rear bottom of the unit (see figure 2).

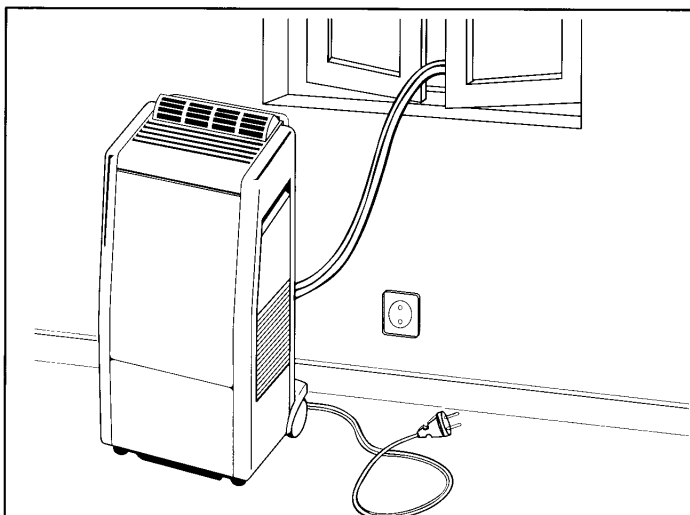


Figure 1

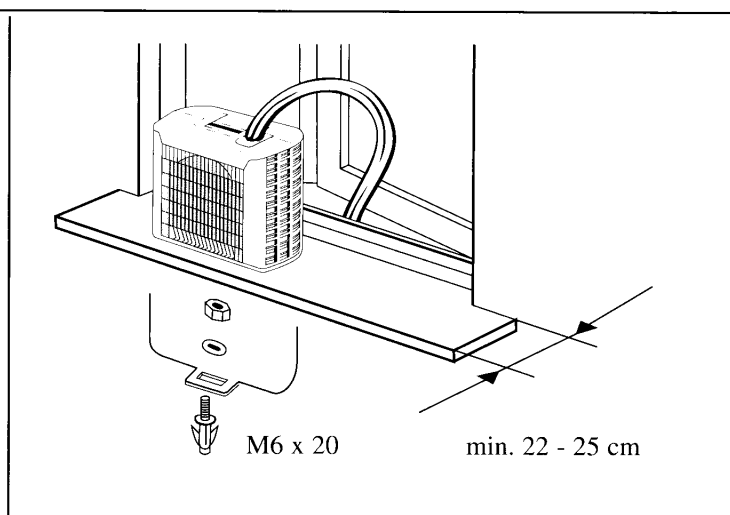


Figure 2

2. Wall Mounting Outdoor Unit.

(a) Wall mounting using Outdoor Basket Unit

(Availables as an optional extra - Outdoor Basket = Part No. 2900004)

Fix the basket unit to the wall using two M6 x 20 expansion bolts, ensuring that the basket is level and bolts fastened securely, position the outdoor unit into the basket (see figure 3). When you have finished with air conditioner unit, remove the outdoor unit from the basket, and leave basket in place for the next time.

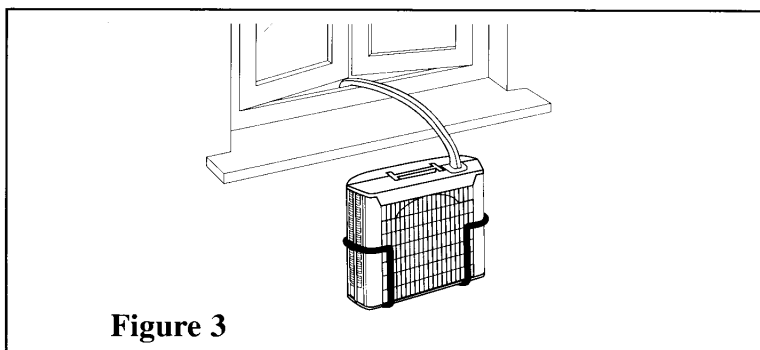


Figure 3

INSTALLATION / POSITIONING Continued

3. Permanent air conditioner installation.

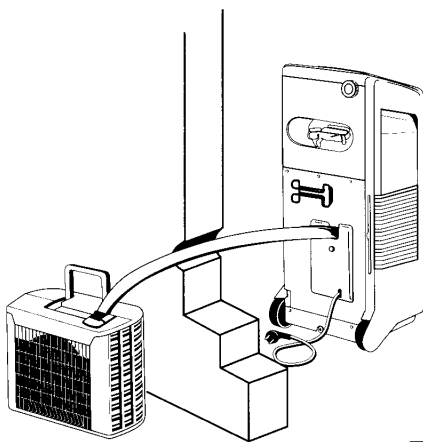


Figure 7

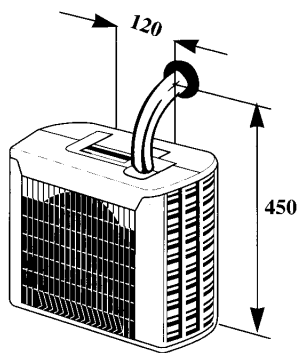


Figure 8

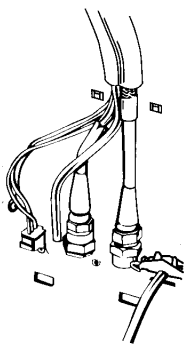


Figure 9

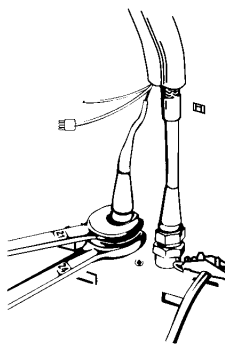


Figure 10

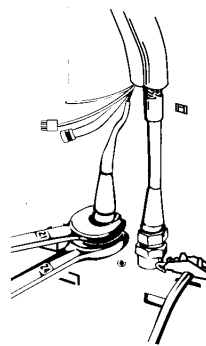


Figure 11

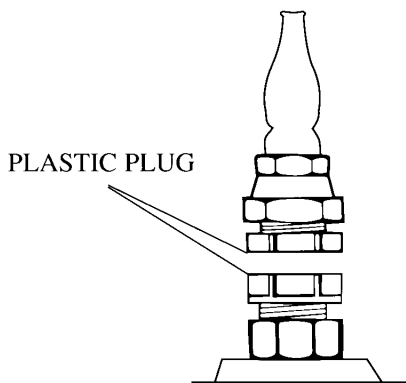


Figure 12

1. A set of quick-couplings allows you to disconnect the outdoor unit and the flexible tube from indoor unit, therefore it is possible to use air conditioner passing the flexible tube through a small hole in the perimeter wall. (see figure 7).

Warning: When you disconnect the outside unit ensure that you first disconnect the electric connector and then the hydraulic connection.

2. After you have decided where to position the outdoor unit, make a 50 mm diameter hole in the perimeter wall (see figure 8).

3. Removing and assembling of quick-couplings

(a) Remove the access door located at the rear of the indoor unit, covering the quick-couplings, and remove the plastic block fixing the flexible tube (see figure 9).

(b) Disconnect the condensate tube and electric plug.

(c) Loosen and disconnect the quick couplings using spanners of 19, 21, and 24mm respectively (see figure 10).

(d) Using the 19 and 21mm spanners, hold the flexible tube end firmly, and loosen the flare nut with the 24mm spanner. Once you have loosened the flare nut you can unscrew the joint by hand (see figure 11).

(e) Repeat this operation for the other joint using 21 and 24mm spanners, then disconnect the condensate tube and the electric cables.

Note: Protect the open halves of the couplings with the plastic plugs supplied, to avoid dirt entering the joints. If you intend to keep disconnected for a while tighten the plastic plugs with a spanner (see figure 12).

4. Place the outdoor unit in the required position and push the flexible tube through the hole in the wall. Then remove the plastic plugs and reconnect the flexible tube to the indoor unit reassembling the connections in reverse order. Tighten the quick-couplings securely using the spanners.

Caution: Before re-installing the rear access door, ensure that the cables and plastic tube are not in contact with each other so as to avoid damage to plastic tube.

INSTALLATION / POSITIONING Continued

Setting Air Flow Direction

Step 1 To set the air flow horizontally, pull the adjustable air outlet grille towards you (see figure 7).

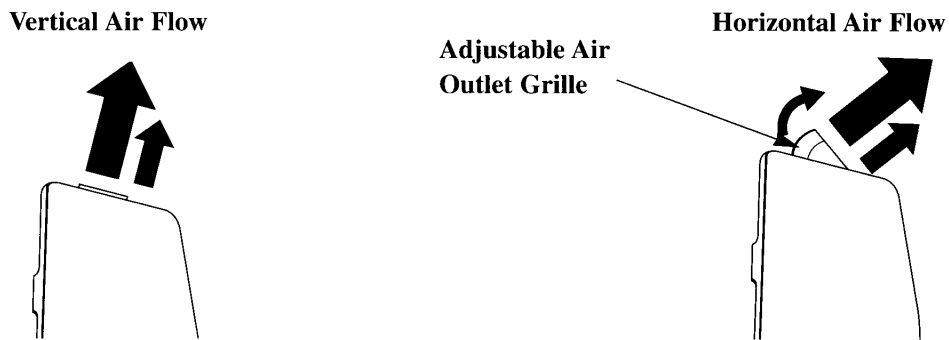
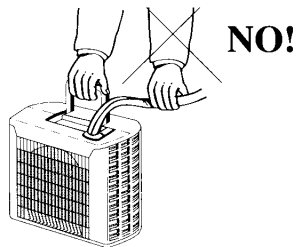


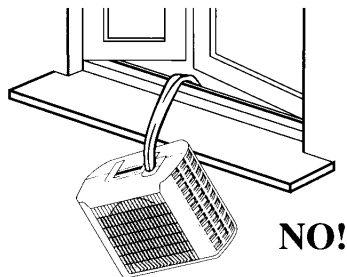
Figure 7

IMPORTANT ADVICE!

1. When you move the air conditioner around the house, hang the outdoor unit by the handle to the rear of the indoor unit. Do not twist or kink the flexible tube. (See item 11 on Identification / features page).
2. When you move the outdoor unit, always hold it by the handle, never pull it using the flexible tube.



3. Never let the outdoor section hang by the flexible tube.



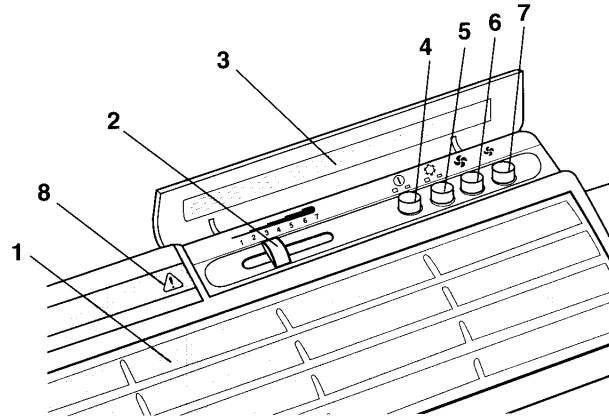
4. When you have finished using the air conditioner, empty the condensate from the outdoor unit by tilting it.






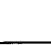

5. Always unplug the unit from the electrical supply before moving or cleaning it.
6. Special care must be taken when cleaning as the edges and condenser fins may be sharp on the outdoor unit.

OPERATION

Introduction: Your appliance can be used either in “**Cooling & dehumidification Mode**”: to air condition your room, or in “**Dehumidification Mode Only**”: to remove excess moisture from your room, or in “**Fan Only Mode**”: to recirculate air.







COOLING MODE

- Step 1** Slide electronic thermostat selector (2) to the right until you reach maximum cooling position (setting 7).
- Step 2** Then press the cooling  push-Button (5).
- Step 3** Press the high fan speed  push-button (6).
- Step 4** Press the green ON/OFF  push-button (4) to start the air conditioner.
- Step 5** When room temperature of the room has been reduced to the required level, press the low speed fan  push-Button (7).
- Step 6** Then slowly slide the electrical thermostat selector back towards the left until you hear a click. At this point the air conditioner is set for automatic operation under the control of the electronic thermostat, it will now maintain the room temperature at the pre-set level.
- Step 7** To stop the air conditioner press the green ON/OFF  push-button (4).

DEHUMIDIFICATION MODE

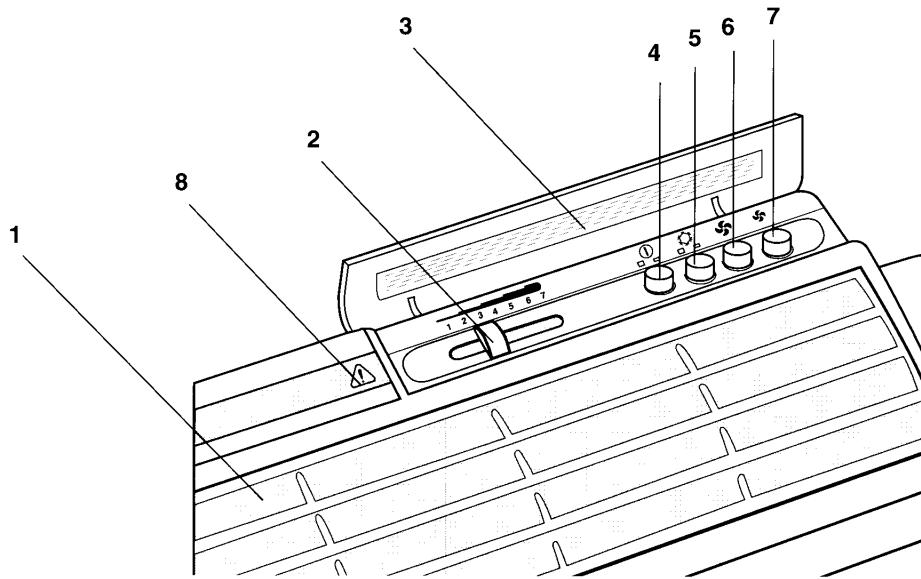
When you use the air conditioner in the dehumidification mode, you do not have to use the flexible air outlet tube. The unit will dehumidify and recirculate the room air. In this mode the air conditioner will reduce the air humidity without reducing the room temperature.

- Step 1** Slide (2) to the right until you reach the maximum cooling position (setting 7), then press the cooling  push-button (5).
- Step 2** Press the low speed fan  push-button (7).
- Step 3** Press the green ON/OFF  push-button (4) in, to start the air conditioner. The humidity removed from the air, (condensate), will be collected into the condensate water tank.
- Step 4** To stop the air conditioner press the green ON/OFF  push-button (4) out.






Warning: The air conditioner may be used as a dehumidifier only if the room temperature is at or above 19° C. When the room temperature is lower than 19° C, the thermostat stops the compressor and humidity removal does not take place.

OPERATION

Introduction: Your appliance can be used either in “**Cooling Mode**”: to air condition your room, or in “**Fan Only Mode**”: to recirculate air.






COOLING MODE

- Step 1** Position the outdoor unit and insert plug into the electrical supply.
- Step 2** Slide electronic thermostat selector (2) to the right until you reach maximum cooling position (setting 7).
- Step 3** Then press the cooling  push-Button (5).
- Step 4** Press the high fan speed  push-button (6).
- Step 5** Press the green ON/OFF  push-button (4) to start the air conditioner.
- Step 6** When room temperature of the room has been reduced to the required level, press the low speed fan  push-Button (7).
- Step 7** Then slowly slide the electrical thermostat selector back towards the left until you hear a click. At this point the air conditioner is set for automatic operation under the control of the electronic thermostat, it will now maintain the room temperature at the pre-set level.
- Step 8** To stop the air conditioner press the green ON/OFF  push-button (4).

FAN ONLY MODE

If you want to circulate air without any temperature control.

- Step 1** Make sure that the cooling  push-Button (5) is pressed out (deactivated).
- Step 2** Press the high speed fan  push-button (6), to increase air flow.
- Step 3** Press the green ON/OFF  push-button (4) to start the air conditioner.

CARE AND CLEANING

Warning:

Before cleaning, please ensure that the electricity supply to the appliance is switched off.

1. Cleaning of Air Filters

Air filters must be checked at least once every two weeks. Filters are located beneath the return air grilles on both sides of the air-conditioner and are removed from the rear of the unit. Use a vacuum cleaner to remove light dust. If there is sticky dust on the filter, wash with lukewarm soapy water, and dry before refitting to the air conditioner.

2. Cleaning of Casing and Grilles.

To clean the air conditioner, wipe it with a clean soft cloth. (see figure 1). In case it is stained, moisten the cloth with soapy water and rewipe. Never use solvents, harsh chemicals or very hot water. Do not pour water over the air conditioner to clean it; this will damage the internal components and cause an electric shock hazard.

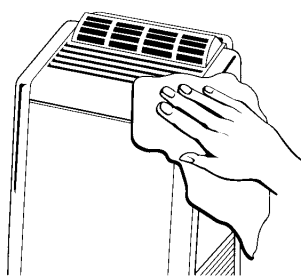


Figure 1

3. Storage.

If you are not going to make use of the air conditioner for a long period, before storing it away clean the air filters and empty the condensate from the indoor unit through the drain pipe at the bottom rear of the unit (see figure 2) and from the outdoor unit by tilting it to one side (see figure 3). Always store the unit in the vertical position hanging the outdoor unit by the handle to the rear of the indoor unit. Do not put heavy objects on the top of the unit and protect it with a cloth or a plastic bag. (see figure 4).

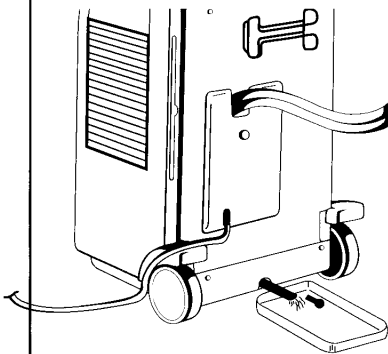


Figure 2

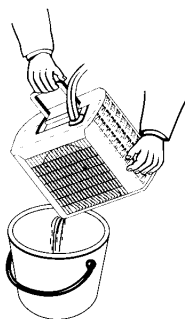


Figure 3

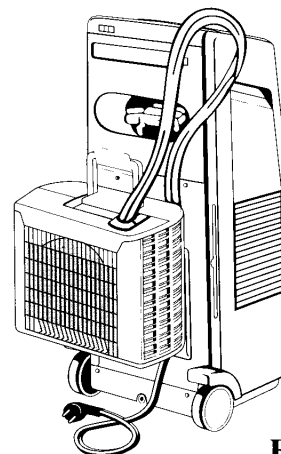
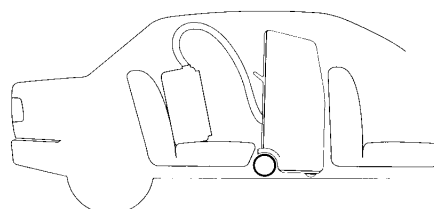
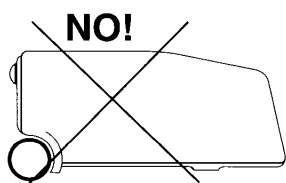


Figure 4

4. Transport


Preferably keep the air conditioner in the vertical position during transportation. If this is not possible then lay the unit on its right hand side; when at destination put the air conditioner back in the vertical position and wait at least 10 minutes before using it for cooling.



Never transport the air conditioner on its rear.

SOMETHING WRONG?

If your air Conditioner does not work properly, please check the following points before contacting your Local Service Centre.

- If the  symbol is lit and the air conditioner stops, then the condensate pump is not working or the condensate drain pipe in the flexible connection is blocked. In this case contact you local service centre.
Note: In the case of an emergency drain the condensate from the pipe at the rear of the indoor unit by extracting the pipe and removing the cap (see figure 2 of care and cleaning).
- The plug is inserted properly into the power socket.
- If you are using extension lead and the air conditioner stops working, try plugging the air conditioner directly into a socket (many extension leads are not suitable).
- The house circuit breaker is in the ON position and fuses have not blown.
- Air filters are not clogged - air filters must be cleaned every 2 weeks.
- At least 3 minutes have passed since the appliance was last used - please wait for a few minutes and then try the air conditioner again.
- Slowly slide the thermostat selector (2) from position 1 to 7 verifying compressor re-starting.
- You have carried out the instructions carried out in this manual.
- The room temperature is above 19° C - if the room is below 19° C the air conditioner will switch off automatically.

If you have been through the above list and there is still a problem; then please contact your Local Creda Service Centre by telephoning:

For the UK: 0541 500 500

For the Republic Of Ireland: 1850 302 200

Please have the following information available when you call:

1. (a) Your name.
(b) Your address and postcode.
(c) Your telephone number.
2. The name of the shop/retailer where the appliance was purchased.

Shop/Retailer:

3. The date your appliance was purchased.

Date:

4. The Model number and Serial number of your appliance (See Features page for Rating plate location).

Model number: 56040

Serial number:

5. Clear and concise details of the fault.
6. Details of any extended warranty or Service Schemes.

If you have any other queries regarding Service or Spares, our Spares and Service division will be pleased to help, You should write to:

Creda Service
Customer Service Department,
Blythe Bridge,
Stoke-On-Trent,
ST11 9LN

For Spare Parts and Accessories, please telephone our Spares Oder Hotline on 0541 530 530 (UK) or 01 842 6836 (Republic Of Ireland)